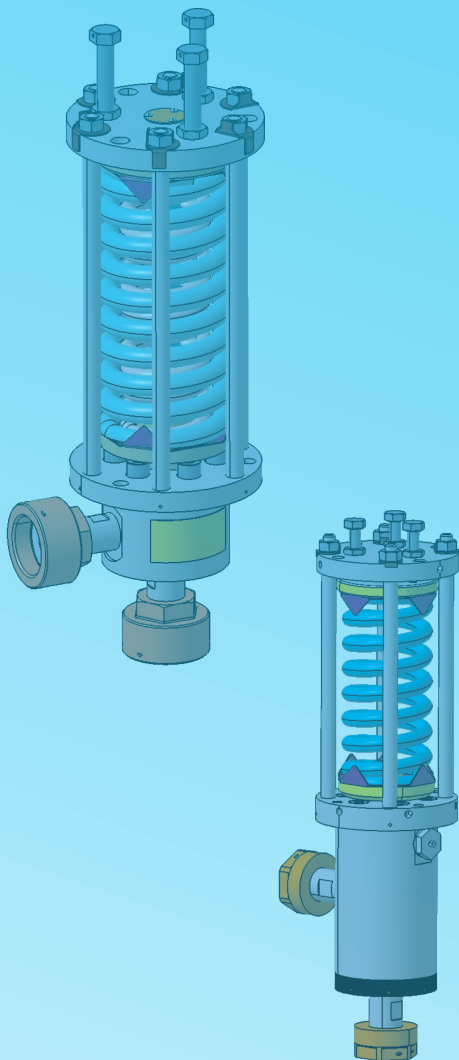
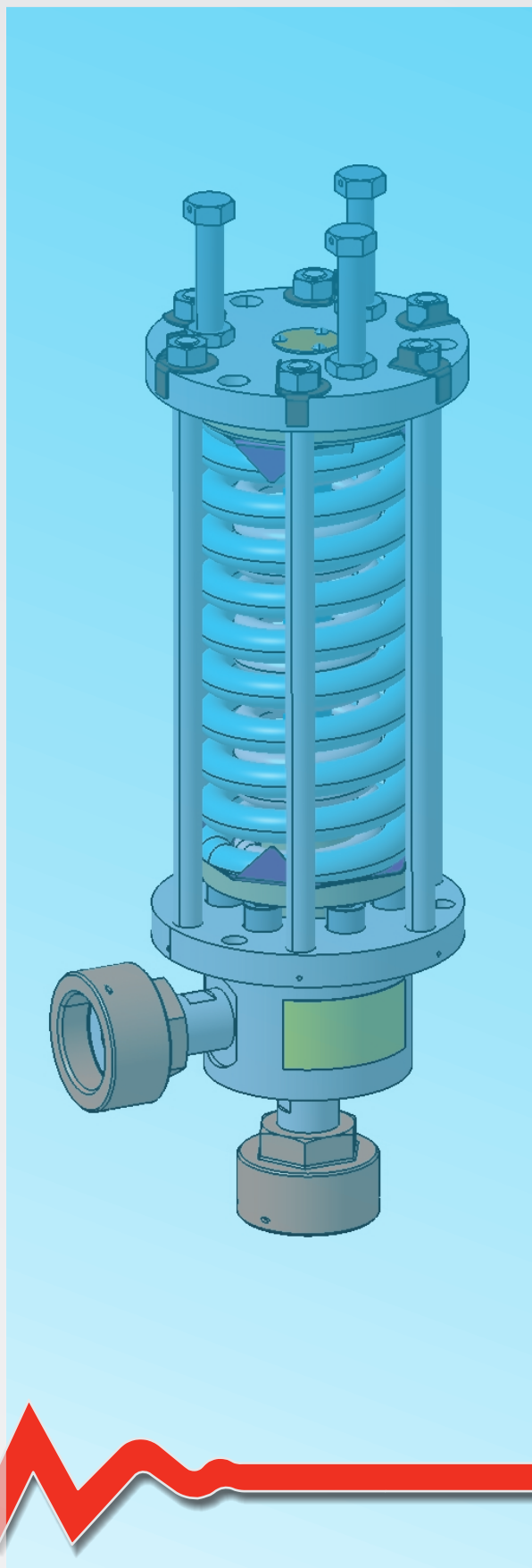


ETNA
INDUSTRIE**SAFETY VALVES ACCORDING TO RCC-M****SAFETY VALVES:****DIAPHRAGM SYSTEM:****Pressure range: 10 to 95 bar**
DN17 to DN25**BELLOWS SYSTEM:****Pressure range: 10 to 110 bar**
DN9 to DN17

ETNA
INDUSTRIE

DIAPHRAGM SAFETY VALVE TYPE 6170



DESCRIPTION

Indirect action technology ensuring:

- absolute tightness in closed position
- high accuracy of cracking pressure
- excellent dynamic response
- no vibration
- no back pressure influence

MATERIALS

Parts in contact with fluid: stainless steel.

Other parts: protected steel and stainless steel.

Diaphragm and disc are determined according to fluid, pressure and operating temperature range for a maximal life duration.

Design according to RCC-M.

CHARACTERISTICS

Pressure range (*bar*) : 10 - 95

Temperature range (*°C*) : -30 à +80

Jet size (*mm*) : Ø10

Max. flow rate (*air*) : 3080 Nm³/h

Max. flow rate (*demineralized water*) : 28 m³/h

Weight (*kg*) : 13.5

Connections : DN17 to DN25

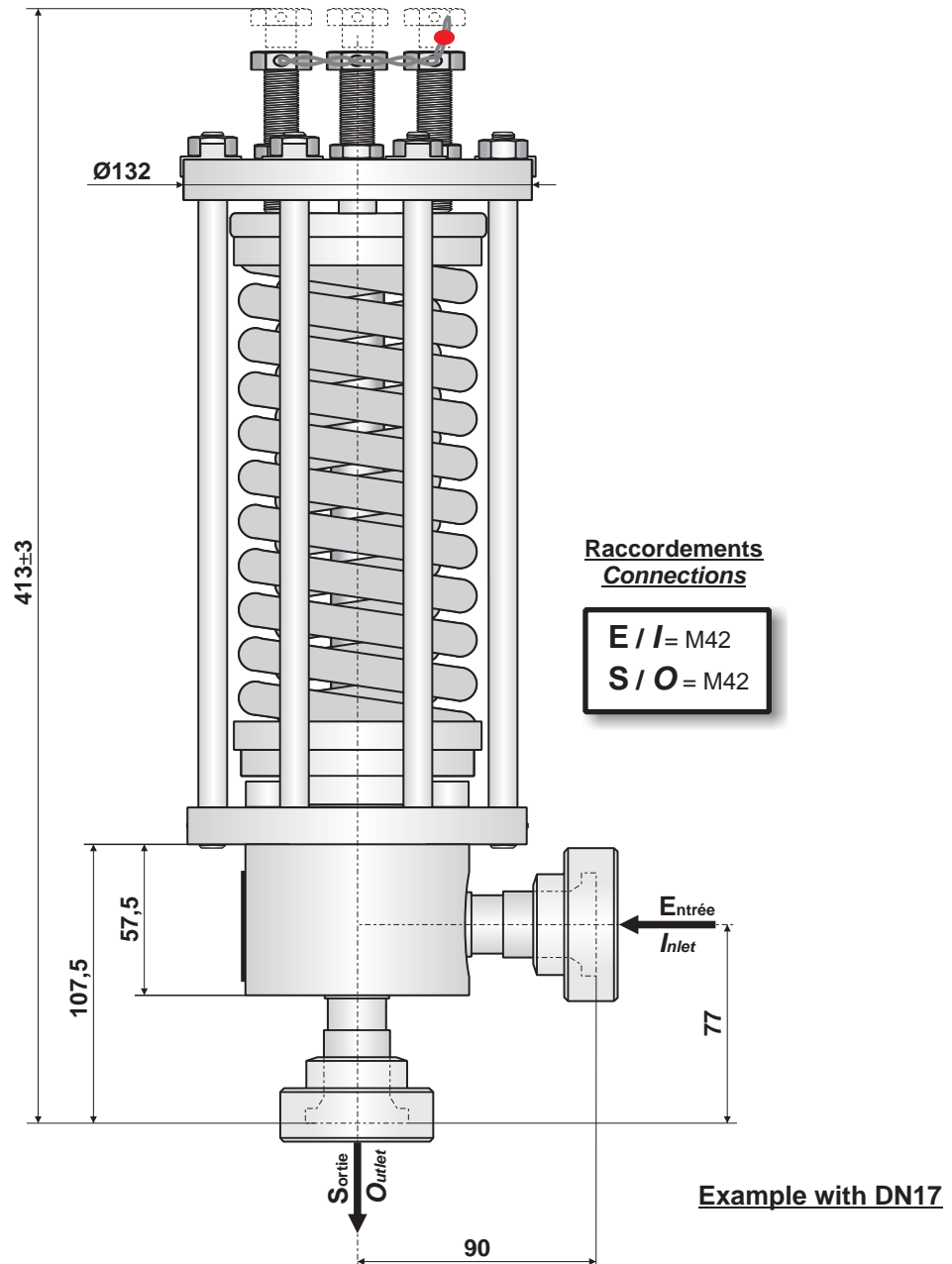
Detection system : Diaphragm

Reseating pressure : 90% of the opening pressure.

OPTIONS

- Fitting and flanges according to customer's specification.

Dimensions



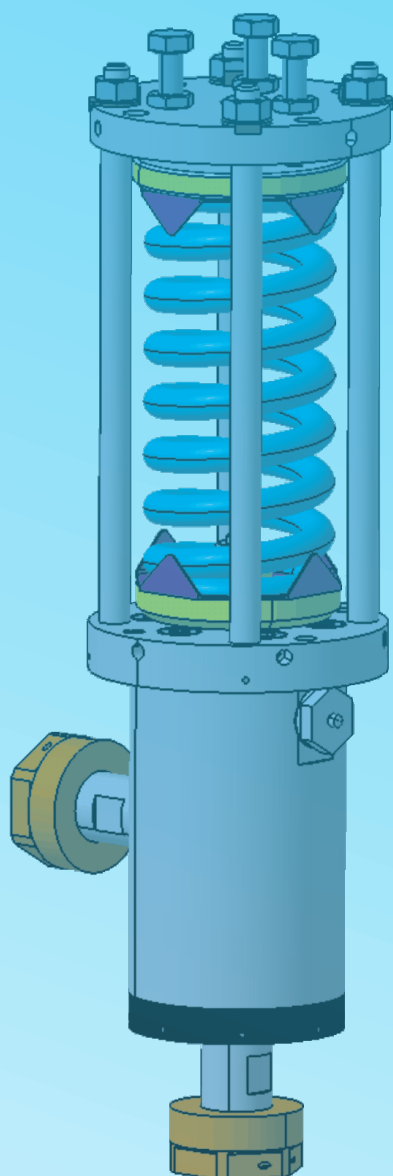
MAT flanges

ETNA
INDUSTRIE

8 rue de la Grande Ceinture - F95104 ARGENTEUIL CEDEX
+33 (0) 1 39 82 09 24 +33 (0) 1 39 82 20 44
info@etna-industrie.fr www.etna-industrie.fr

ETNA
INDUSTRIE

BELLOW SAFETY VALVE TYPE 6169



DESCRIPTION

Indirect action technology ensuring :

- absolute tightness in closed position
- high accuracy of cracking pressure
- excellent dynamic response
- no vibration
- no back pressure influence
- leak detector
- double fence tightness
- mobile parts protected by bellow

MATERIALS

Parts in contact with fluid : stainless steel.

Other parts: protected steel and stainless steel.

Disc is determined according to fluid, pressure and operating temperature range for a maximal life duration.

Design according to RCC-M.

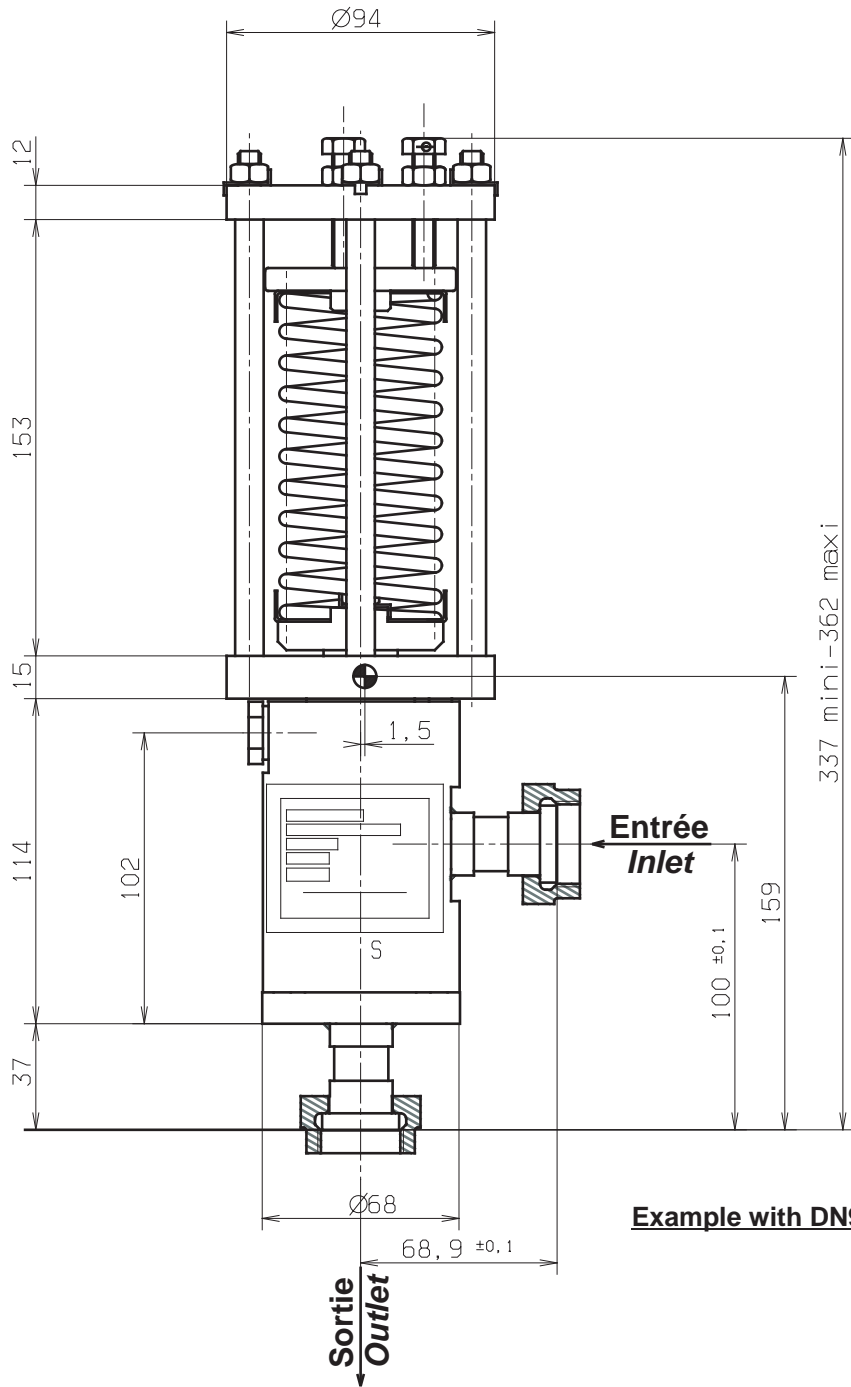
CHARACTERISTICS

Pressure range (<i>bar</i>):	10 - 110
Temperature range (°C):	-30 à +80
Jet size (<i>mm</i>):	Ø4
Max. flow rate (<i>air</i>):	800 Nm ³ /h
Max. flow rate (<i>demineralized water</i>):	5 m ³ /h
Weight (<i>kg</i>):	6
Connections:	DN9 to DN17
Detection system:	Bellow
Reseating pressure:	90 % of the opening pressure.

OPTIONS

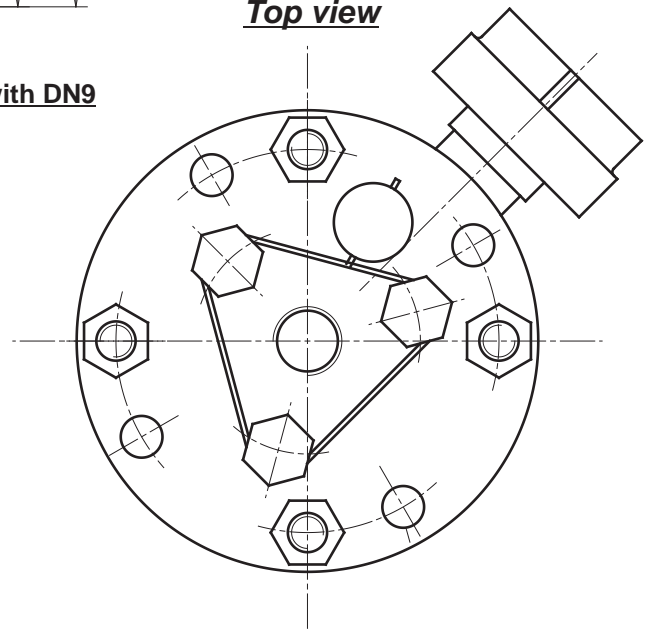
- Fitting and flanges according to customer's specification.

Dimensions



Example with DN9

**Vue de dessus
Top view**



MAT flanges

ETNA
INDUSTRIE

8 rue de la Grande Ceinture - F95104 ARGENTEUIL CEDEX

+33 (0) 1 39 82 09 24

+33 (0) 1 39 82 20 44

info@etna-industrie.fr

www.etna-industrie.fr