

ETNA
INDUSTRIE

ADJUSTABLE SURPLUS VALVE



DESCRIPTION

Indirect action technology ensuring :

- absolute tightness in closed position
- high reliability with opening pressure
- excellent dynamic response
- non hunting vibration
- downstream pressure proof.

MATERIALS

Parts in contact with fluid: stainless steel.

Other parts: protected steel and stainless steel.

Diaphragm and disc are determined according to fluid, pressure and operating temperature range for a maximal life duration.

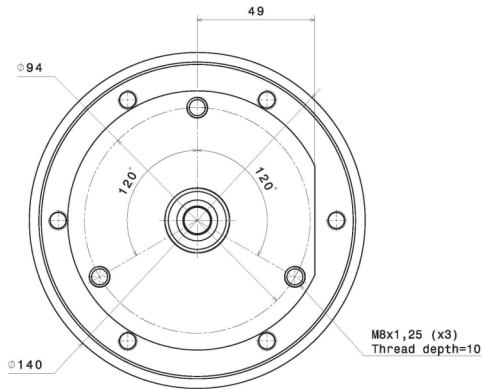
CHARACTERISTICS

Pressure range (bar):	8 - 17
Temperature range (°C):	-20 à +80
Jet size (mm):	Ø17
Max. flow rate (air):	1550 Nm ³ /h
Max. flow rate (oil):	173 l/min
Weight (kg):	16.5
Connections:	Inlet : G1" Outlet : G3/4"
Detection system:	Diaphragm
Reseating pressure:	90 % of the opening pressure.

OPTIONS

- Cover.

Dimensions



*Raccords entrée/sortie série L } ISO 1179-2
 *Inlet/outlet stud ends L series }

☉ Centre de gravité/Center of gravity

Masse/Weight : 16,500 Kg ±10%

